

# Reconditioning Quote Form | End Mills



REGRIND PROGRAM

Contact Name:

Email:

Phone:

Company:

Return Address:

Distributor:

**Ship Tools To:**

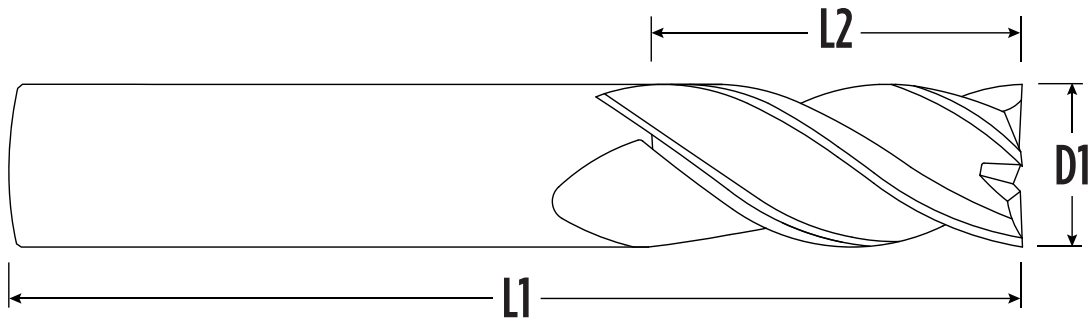
Fullerton Tool Company  
121 Perry Street  
Saginaw, MI 48602  
Attn: Regrind Department  
**regrinds@fullertontool.com**  
**989.799.4550**

or

Fullerton Tool Company  
15581 Computer Lane  
Huntington Beach, CA 92649  
Attn: Regrind Department  
**hbsales@fullertontool.com**  
**714.831.5618**

**To prevent breakage, please ship tooling in original, or equivalent, packages.**

### Enter Tool Specifications



Part Number:

Reference Series:

Quantity to Quote:

Chip Free:  Yes  No

Minimum Diameter (D1):

Minimum Cut Length (L2):

Minimum OAL (L1):

Select:  Full Regrind  End Only

End Form & Dimensions:

Recoat:  Yes  No

List Coating:

Hone:  Yes  No

Notes: